

# CYCLE-MASTER®

## 1024 PERFORMANCE DOORS



**HIGH-SPEED, HIGH-CYCLE**

**Tested to perform for over 1,000,000 cycles at an opening speed of 24" per second - three times faster than standard coiling or overhead sectional doors.**



Cycle-Master 1024 high-speed, high-cycle doors provide a proven combination of steel door security, minimal maintenance requirements and exceptional cycle life unmatched by other performance doors.

Cycle-Master 1024 doors are tested to perform for over a million cycles at an opening speed of 24" per second - **three times faster than standard coiling or overhead sectional doors.**

Designed to maximize your return on investment, **the 1024 door provides the lowest lifetime cost and lowest cost-per-cycle versus other high-speed slatted products.**

And, its cost-per-cycle savings dramatically increase when compared to standard coiling doors that may be mistakenly considered for high-cycle openings.

Durability, environmental separation qualities and ease of repair after impact makes 1024 doors the superior choice for high-use openings.

### **Benefits**

- Increased productivity at high traffic openings
- Improved security and prevent unwanted entry at sensitive openings
- Maximize energy savings by quickly sealing your building
  - Insulated or single slat designs configured for your opening
    - Fully operational under wind loads up to 10 PSF
    - Durable and sustainable design: 1,000,000 cycles, 5 year warranty
      - Entrapment protection compliant to UL 325-2010



### **Applications**

- Distribution
- Government
- Manufacturing
- Parking
- Transportation
- Secure Entry/High Security

**COOKSON**  
THE COOKSON COMPANY, INC.

# CYCLE-MASTER®

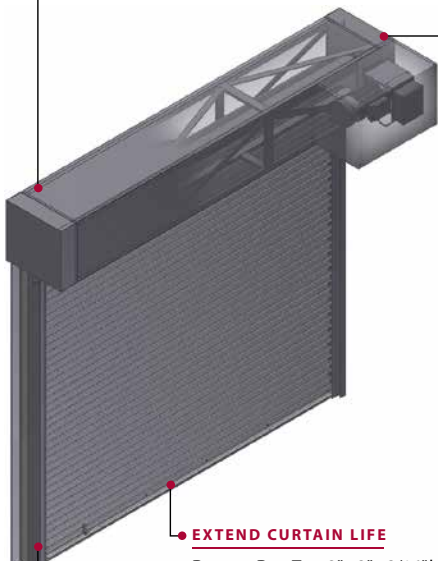
## 1024 PERFORMANCE DOORS



• **Hood:** Protective square sheet metal enclosure for the curtain provides weather resistance at the head of the door and helps maintain alignment  
**Material & Finish:** Stainless steel 300 series #4 finish or galvanized steel with powder coat finish in gray, silver, tan or white

### REDUCE MAINTENANCE & REPLACEMENT COSTS

**Springless Shaft:** Steel pipe not less than 6 5/8" diameter. Springless design reduces maintenance requirements and facilitates cycle capacity.  
**Standard Material:** Steel



### QUICK & EASY INSTALLATION

**Brackets/Coil Box Assembly:** Steel plate brackets are part of the unitized coil box assembly with the curtain and barrel. Access hatch for ease of servicing. Both drive and tension brackets furnished with precision ball bearings.  
**Standard Material & Finish:** Steel with dark bronze powder coat finish

### CONTINUOUS DUTY DESIGN

**Operation:** Sprocket and chain driven motor operation standard. Doors operate by rotating the shaft gear end. Auxiliary hand chain included as standard.

### REDUCE NOISE OF OPERATION

**Anti-Wear Device:** Curtain furnished with retractable, anti-wear device not visible to user, installed at the shaft assembly to prolong curtain aesthetics and reduce operational noise



### MINIMIZE WEAR & TEAR ON CURTAIN

**Guides:** Sealing, self-lubricating UHMW anti-wear strips provided to greatly reduce friction and curtain wear. 1024 Doors are built to withstand up to 20 PSF maximum wind load and are operational up to 10 PSF maximum wind load. Consult factory for higher wind load availability.  
**Standard Material & Finish:** Steel angles with powder coat finish in gray, silver, tan or white



### EXTEND CURTAIN LIFE

**Bottom Bar:** Two 2" x 2" x 3/16" back to back structural steel angles equipped with sensing edge  
**Standard Material & Finish:** Stainless steel 300 series #4 finish or steel with powder coat finish in gray, silver, tan or white

### MINIMIZE AIR INFILTRATION

**Perimeter Sealing:** Guides furnished with double brush weather strip for sealing and reduced wear. Wireless sensing edge astragal provides positive close at the floor. 1024 Insulated also furnished with lintel seal.

### 1024 DRIVE & CONTROL SYSTEM

Provided complete as standard:  
**Motor:** UL listed, SEW Eurodrive TEFC variable speed motor with sprocket and chain drive horizontally mounted to unitized structure. High performance brake.



### Control Panel:

Wall mounted starter. PLC controller with variable frequency drive featuring soft-start and soft-stop at both ends of limit travel. NEMA 4 rated for harsh weather environments. 20" x 24" x 8"

### STANDARD SAFETY FEATURES

#### UL 325-2010 Compliant Photo Eye Sensors:

Interruption of the beam before the door fully closes causes the door to immediately stop downward travel and reverse direction to the fully open position

**UL 325 Wireless Sensing Edge:** Contact with the edge before the door fully closes causes the door to immediately stop downward travel and reverse direction to the fully open position. No travelling electric cord between the edge and motor operator is required.

### OPTIONS

- Activation Devices: Motion detector, induction loop, additional photo eyes
- Sensing Devices: Light curtains, presence sensor, additional photo eyes
- "Warning to Close" Annunciators: Strobe, beacon, horn
- Two-Door Interlocks
- Vision Windows
- Long Distance Wiring
- Fenestrated Slats

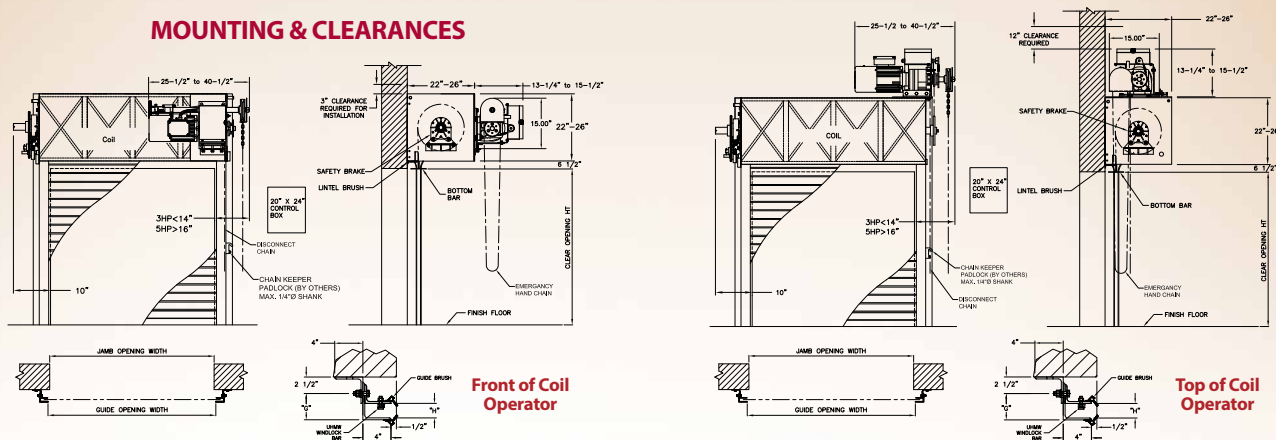
### CYCLECOTE™ POWDER COAT FINISH

Cookson's CycleCote™ Powder Coat Finish provides a low coefficient of friction wear-resistance for added durability. Available in a choice of over 180 colors.

### OPTIONAL FINISHES

- Stainless steel, 300 series #4 finish
- Hot-dip galvanizing on steel components
- FinalCote™ powder coat finish in selected color
- Zinc Rich Gray corrosion resistant powder coating

## MOUNTING & CLEARANCES



Face of Wall Mount: Maintains clearance of full opening, minimal exposed components.

Standard construction Cycle-Master 1024 Service and Insulated doors are built to order to fit specific opening dimensions to 30" wide and 20" high. Patent pending.

# COOKSON

THE COOKSON COMPANY, INC.

P.O. Box 23880 • Phoenix, AZ 85063 • Phone: (800) 390-8590 • Fax: (866) 448-6804 • An ISO 9001:2008 Registered Company  
 Visit [Cooksondoor.com](http://Cooksondoor.com) or contact Architectural Design Support: [ADS@Cooksondoor.com](mailto:ADS@Cooksondoor.com) or (800) 390-8590, ext. 1280