

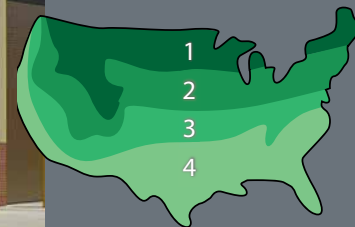
Temp-Master®

INSULATED ROLLING DOORS



ENVIRONMENTAL SEPARATION

Temp-Master doors pay for themselves based on climatic zone:¹



Zone	Annual Savings	Payback Years
1	\$972	2.0
2	\$775	2.6
3	\$593	3.3
4	\$488	4.1

Temp-Master compared to a Standard Service Door

Designed to Minimize Air Infiltration and Thermal Transference

Temp-Master Insulated Rolling Doors meet 2012 IECC® Air Infiltration requirements with an independently tested value of less than 1.0 CFM/FT².

The exclusive patent pending sealing system, thermally broken guide construction and insulated curtains (with foamed in place insulation) minimize air infiltration and thermal transference through openings. Temp-Master is intended for use in exterior openings where maintaining environmental separation on each side of the door is necessary and/or desirable. Post-industrial and pre-consumer recycled content values and LEED® credits are available for each door. Temp-Master components are also easily recyclable.

Sound Transmission Reduction

The full perimeter seal of these energy efficient doors also reduces sound transmission by 37% compared to non-insulated rolling doors. Hospitals, schools and universities are examples of applications where Temp-Master can be used for decreasing sound transmission. The Sound Transmission Class (STC) rating for Temp-Master is 27, as tested per ASTM E90, based on testing a complete, operable door assembly. STC 32 Superimposed/double insulated curtain assemblies (also available) are tested per ASTM E90, based on testing a complete, operable door assembly.

Special Applications

Specified Wind Load: Doors can be configured to withstand the full range of specific wind load requirements. Performance validated through third party testing.

High Cycle Construction: When doors are expected to operate more than 20 cycles per day.

Combination Doors: Combine two different curtains on the same opening. Typically a Temp-Master insulated door is used in conjunction with either a perforated screen door or an open design rolling grille when ventilation is required.

Sloping or Irregular Sills: Special bottom bar designs can meet odd floor conditions including slopes, curbs or rails.

Benefits

- 85% decrease in air infiltration as compared to standard products²
- IECC 2012 compliant
- LEED credits available
- Low life cycle cost
 - Size flexibility: Built to order
 - Substantiated energy savings

Applications

- Distribution
- Education
- Healthcare
- Hospitality/Public Space
- Industrial
- Retail
- Transportation

Options

- 1 or 2 way vision windows
- Custom graphics on door
- Cylinder or slide bolt locking
- Entrapment protection
- Motor operation
- Powder coat finish (ColorCote™)
- Project specific wind load



Test results available upon request

1. Calculations based on a 12' x 12' door; upgrading from a Standard Service Door to Temp-Master
 2. Calculated using data from an ASHRAE research report for standard coiling doors

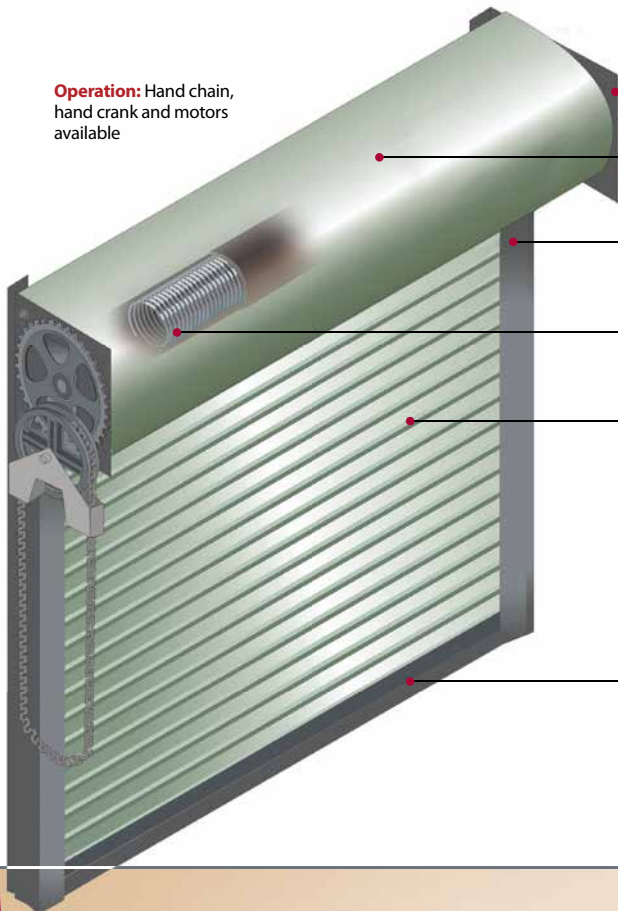
COOKSON
 THE COOKSON COMPANY, INC.

Temp-Master®

INSULATED ROLLING DOORS



Operation: Hand chain, hand crank and motors available



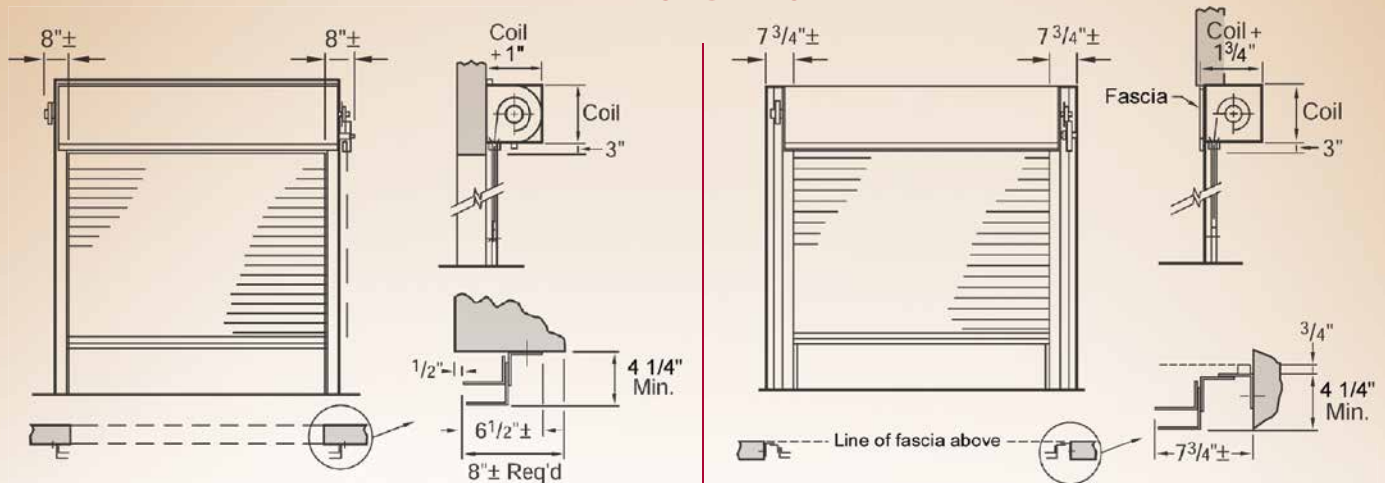
COMPONENTS

- **Brackets:** Minimum 3/16" steel plates bolt to the guide assembly and support shaft and curtain
Standard Material & Finish: Steel with ColorCote™ powder coating in bronze, gray, tan or white
- **Hood:** Protective sheet metal enclosure for curtain provides weather resistance and keeps brackets rigid
Standard Material and Finish: Galvanized steel with exclusive FinalCote™ finish in gray, tan or white
Optional Material: Aluminum, Stainless steel
- **Guides:** Thermally broken guide assembly utilizing minimum 3/16" structural steel angle
Standard Material & Finish: Steel with ColorCote powder coating in bronze, gray, tan or white
Optional Material: Stainless steel or Aluminum angles
- **Counterbalance Shaft:** 4 1/2" minimum diameter outer shaft and 1 1/4" minimum inner shaft. This assembly supports the curtain and contains counter-balance torsion springs for assisting operation.
Standard Material: Steel
- **Curtain:** Double skin interlocking roll formed metal slats are filled with 7/8" thick closed cell pressure foamed in place urethane insulation with a Flame Spread Index of 0 and a Smoke Developed Index of 10 as tested per ASTM E84. Curtain assembly materials meet the foam plastic insulation requirements of the 2012 IBC®, section 2603. The slat has an R-value of 8.0 as calculated using the ASHRAE Handbook of Fundamentals. Nylon endlocks prevent wear and enable smooth, quiet operation. **Exterior skin** available in: 24, 22, 20 and 18 ga. galvanized steel with exclusive FinalCote or ColorCote finish; 22 ga. stainless steel, #4 finish; 18 ga. aluminum in mill, clear or color anodized. **Interior skin** available in: 24 ga. galvanized steel with exclusive FinalCote or ColorCote finish, 22 ga. available with 22 ga. exterior skin; 22 ga. stainless steel, #4 finish; 18 ga. aluminum in mill, clear or color anodized.
Standard Material & Finish: Galvanized steel with FinalCote finish in gray, tan or white
Optional Materials: Aluminum, Stainless steel
- **Bottom Bar:** Insulated and equipped with perimeter weather seal, bottom bar mates with curtain face slat, extending insulation to the floor. Lock mechanisms available.
Standard Material & Finish: Mill finish extruded aluminum
Optional Materials: Steel, Stainless steel

Optional Finishes:

- Aluminum in mill, clear or color anodized
- ColorCote powder coat finish in over 180 colors adds durability and aesthetic value
- Hot-dip galvanizing on steel components
- Stainless steel, 300 series #4 finish
- Zinc Rich Gray corrosion resistant powder coating

TYPICAL DETAILS



Face of Wall

Maintains clearance of full opening, minimal exposed components

Between Jamb

Mounts within the opening, fascia (front hood closure piece) required

Temp-Master doors are available to 30'W x 30'H standard construction. Large openings to 38'W, 40'H, consult factory.

COOKSON

THE COOKSON COMPANY, INC.

P.O. Box 23880 • Phoenix, AZ 85063 • Phone: (800) 390-8590 • Fax: (866) 448-6804 • An ISO 9001:2008 Registered Company
Visit Cooksondoor.com or contact Architectural Design Support: ADS@Cooksondoor.com or (800) 390-8590, ext. 1280